

**CX220C Series 2
CX240C
Hydraulic Excavator**

Service Manual

Part Number
48024959
1st Edition
English 11/2016

CASE
CONSTRUCTION



SERVICE MANUAL

**CX220C SERIES 2 Standard model, TIER 3 level engine
CX240C Crawler excavator-Mass excavator - TIER 3**

Contents

INTRODUCTION

Engine.....	10
[10.001] Engine and crankcase	10.1
[10.216] Fuel tanks	10.2
[10.254] Intake and exhaust manifolds and muffler	10.3
[10.310] Aftercooler.....	10.4
[10.400] Engine cooling system	10.5
Hydraulic systems.....	35
[35.106] Variable displacement pump	35.1
[35.102] Pump control valves.....	35.2
[35.353] Hydraulic travel system	35.3
[35.359] Main control valve.....	35.4
Hydraulic systems.....	35
[35.000] Hydraulic systems.....	35.5
[35.300] Reservoir, cooler, and filters.....	35.6
[35.304] Combination pump units	35.7
[35.357] Pilot system	35.8
[35.355] Hydraulic hand control	35.9
[35.356] Hydraulic foot control.....	35.10
[35.352] Hydraulic swing system	35.11
[35.354] Hydraulic central joint	35.12
[35.736] Boom hydraulic system	35.13
[35.737] Dipper hydraulic system.....	35.14
[35.738] Excavator and backhoe bucket hydraulic system.....	35.15
[35.360] Hammer and rotating bucket hydraulic system	35.16
Frames and ballasting	39

[39.140] Ballasts and supports	39.1
Tracks and track suspension	48
[48.130] Track frame and driving wheels	48.1
[48.100] Tracks	48.2
[48.134] Track tension units	48.3
[48.138] Track rollers	48.4
Cab climate control	50
[50.100] Heating	50.1
[50.200] Air conditioning	50.2
Electrical systems	55
[55.000] Electrical system	55.1
[55.010] Fuel injection system	55.2
[55.013] Engine oil system	55.3
[55.015] Engine control system	55.4
[55.201] Engine starting system	55.5
[55.640] Electronic modules	55.6
[55.036] Hydraulic system control	55.7
[55.051] Cab Heating, Ventilation, and Air-Conditioning (HVAC) controls	55.8
[55.050] Heating, Ventilation, and Air-Conditioning (HVAC) control system	55.9
[55.100] Harnesses and connectors	55.10
[55.301] Alternator	55.11
[55.302] Battery	55.12
[55.404] External lighting	55.13
[55.416] Swing control system	55.14
[55.417] Travel control system	55.15
[55.530] Camera	55.16
[55.518] Wiper and washer system	55.17
[55.514] Cab lighting	55.18

**Thanks very much for your reading,
Want to get more information,
Please click here, Then get the complete
manual**

JustClickHere 

NOTE:

**If there is no response to click on the link above,
please download the PDF document first, and then
click on it.**

**Have any questions please write to me:
admin@servicemanualperfect.com**

[55.408] Warning indicators, alarms, and instruments	55.19
[55.512] Cab controls.....	55.20
[55.950] Hammer electric system	55.21
[55.992] Anti-theft system	55.22
[55.DTC] FAULT CODES.....	55.23
Booms, dippers, and buckets	84
[84.910] Boom.....	84.1
[84.912] Dipper arm	84.2
[84.100] Bucket.....	84.3
Platform, cab, bodywork, and decals	90
[90.100] Engine hood and panels	90.1
[90.120] Mechanically-adjusted operator seat.....	90.2
[90.150] Cab.....	90.3
[90.156] Cab windshield and windows	90.4



INTRODUCTION

Contents

INTRODUCTION

Foreword - Important notice regarding equipment servicing (*)	3
Safety rules (*)	4
Safety rules - General information (*)	5
Safety rules - Personal safety (*)	6
Safety rules - Cab protective structure (*)	8
Torque - Bolt and nut (*)	9
Torque - Special torque settings (*)	10
Basic instructions - Shop and assembly (*)	14
General specification (*)	16
General specification - Main equipment (*)	20
Weight (*)	27
Dimension (*)	29
Dimension (*)	31
Conversion factors (*)	34
Consumables (*)	46
Capacities (*)	49
Abbreviation (*)	50
Product identification (*)	53
Product identification - Machine orientation (*)	55

(*) See content for specific models

Foreword - Important notice regarding equipment servicing

CX220C SERIES 2 Standard model, TIER 3 level engine	LA
CX240C Crawler excavator-Mass excavator - TIER 3	LA

All repair and maintenance work listed in this manual must be carried out only by qualified dealership personnel, strictly complying with the instructions given, and using, whenever possible, the special tools.

Anyone who performs repair and maintenance operations without complying with the procedures provided herein shall be responsible for any subsequent damages.

The manufacturer and all the organizations of its distribution chain, including - without limitation - national, regional, or local dealers, reject any responsibility for damages caused by parts and/or components not approved by the manufacturer, including those used for the servicing or repair of the product manufactured or marketed by the manufacturer. In any case, no warranty is given or attributed on the product manufactured or marketed by the manufacturer in case of damages caused by parts and/or components not approved by the manufacturer.

The manufacturer reserves the right to make improvements in design and changes in specifications at any time without notice and without incurring any obligation to install them on units previously sold. Specifications, descriptions, and illustrative material herein are as accurate as known at time of publication but are subject to change without notice.

In case of questions, refer to your CASE CONSTRUCTION Sales and Service Networks.

Safety rules

CX220C SERIES 2 Standard model, TIER 3 level engine	LA
CX240C Crawler excavator-Mass excavator - TIER 3	LA


Personal safety





This is the safety alert symbol. It is used to alert you to potential personal injury hazards. Obey all safety messages that follow this symbol to avoid possible death or injury.

Throughout this manual you will find the signal words DANGER, WARNING, and CAUTION followed by special instructions. These precautions are intended for the personal safety of you and those working with you.

Read and understand all the safety messages in this manual before you operate or service the machine.

 DANGER indicates a hazardous situation that, if not avoided, will result in death or serious injury.

 WARNING indicates a hazardous situation that, if not avoided, could result in death or serious injury.

 CAUTION indicates a hazardous situation that, if not avoided, could result in minor or moderate injury.

FAILURE TO FOLLOW DANGER, WARNING, AND CAUTION MESSAGES COULD RESULT IN DEATH OR SERIOUS INJURY.

Machine safety

NOTICE: Notice indicates a situation that, if not avoided, could result in machine or property damage.

Throughout this manual you will find the signal word Notice followed by special instructions to prevent machine or property damage. The word Notice is used to address practices not related to personal safety.

Information

NOTE: Note indicates additional information that clarifies steps, procedures, or other information in this manual.

Throughout this manual you will find the word Note followed by additional information about a step, procedure, or other information in the manual. The word Note is not intended to address personal safety or property damage.

Safety rules - General information

CX220C SERIES 2 Standard model, TIER 3 level engine	
CX240C Crawler excavator-Mass excavator - TIER 3	LA

Cleaning

Clean the metal parts with cleaning solution that meets the standard and steam cleaning. (except for bearings)

After cleaning, dry well, and inject oil in all parts.

Also inject oil into the bearings after drying.

Inspection

When disassembling parts, check all the parts.

If there are any worn or damaged parts, replace them.

Inspect carefully to prevent initial breakdowns.

Bearing

Replace any loose bearings.

Air dry bearings before installing them.

Needle bearing

When inserting needle bearings, be very careful not to damage them.

Apply grease to the section where the needle bearing will be inserted.

Gear

Check that there is no wear and no damage.

Oil seal, O-ring, gasket

Always install new oil seals, O-rings, and gaskets.

Apply grease to sections where oil seals and O-rings will be inserted.

Shaft

Check that there is no wear and no damage.

Check the bearings and check for damaged oil seals on the shaft.

Service parts

Install CASE CONSTRUCTION genuine service parts.

When placing an order, check the parts catalog. It contains the CASE CONSTRUCTION genuine part numbers.

Any breakdowns arising from the installation of non-genuine parts are not covered by the warranty.

Lubricants (fuel, hydraulic oil)

Use the oil from the specified company or specified in the operator's manual or service Manual.

Any breakdowns arising from any fuel or hydraulic oil other than those specified are not covered by the warranty.

Safety rules - Personal safety

CX220C SERIES 2 Standard model, TIER 3 level engine	
CX240C Crawler excavator-Mass excavator - TIER 3	LA

WARNING:

This symbol indicates a precaution.

It gives information concerning the safety of the operator and those in the surroundings.

Read and understand these precautions thoroughly before performing the work.

Always comply with warnings and precautions so as to avoid any accidents.

This section covers information related to overall safety.

Check whether all warning labels are in place.

Additional labels can be ordered from Service Parts.

WARNING:

Read the operator's manual to gain a thorough understanding of machine control operations.

WARNING:

Perform any machine operations from the seating position.

Any other method may cause severe injuries.

WARNING:

Only the one operator is to ride on the machine. No one else is to ride on it.

WARNING:

Check the safety messages in the operator's manual before starting the engine.

Check all the warning labels on the machine.

Check that no one is within the machine's operating range.

Check the operating methods in a safe location before starting the actual work.

Understand the machine operations well, then operate in compliance with all service-related laws and regulations.

The operator's manual can be purchased at your CASE CONSTRUCTION dealer.

WARNING:

Working with sloppy clothes or clothes with which safety cannot be ensured leads to damage to the machine and injury to the operator.

Always wear clothes that ensures safety.

In order to work more safely, it is recommended to wear additional safety equipment.

Helmet, safety shoes, ear protection, goggles, work clothes, and gloves

WARNING:

Pay careful attention when working with the engine running.

WARNING:

Check hydraulic equipment.

Work according to the procedure.

Do not change the procedure.

INTRODUCTION

 WARNING:

Check that there is no one in the surroundings before draining the pressure from hydraulic circuits during machine hydraulic cylinder inspection.

 WARNING:

Use gloves when handling high-temperature parts.

 WARNING:

Bring the lower parts or attachments in contact with the ground before inspecting or repairing them.

 WARNING:

Check that hoses and tubes are securely connected.
If there is any damage to a hose or tube, replace it.
Do not check for oil leaks by hand. Use cardboard or wood.

 WARNING:

When removing an attachment pin or other hardened pin, use a hammer that has a soft head.

 WARNING:

Wear eye protection when using a hammer to install a pin or when working with a grinder.
At this time, use goggles or eye protectors that meet standards.

 WARNING:

Park the machine in a safe location when repairing or inspecting it.

 WARNING:

Use work site protection when repairing the machine.
Check the oil, coolant, grease, and tools.
Recover materials and parts as necessary.
Pay enough attention to safety.

 WARNING:

Some of the machine's parts are extremely heavy.
Use an appropriate lifting equipment for such parts.
For weights and procedures, see the Service Manual.

 WARNING:

Exhaust gases are toxic.
Always provide good ventilation when working indoors or in any other enclosed space.

 WARNING:

If the electrolytic battery solution freezes, it may explode.

Safety rules - Cab protective structure

CX220C SERIES 2 Standard model, TIER 3 level engine	
CX240C Crawler excavator-Mass excavator - TIER 3	LA

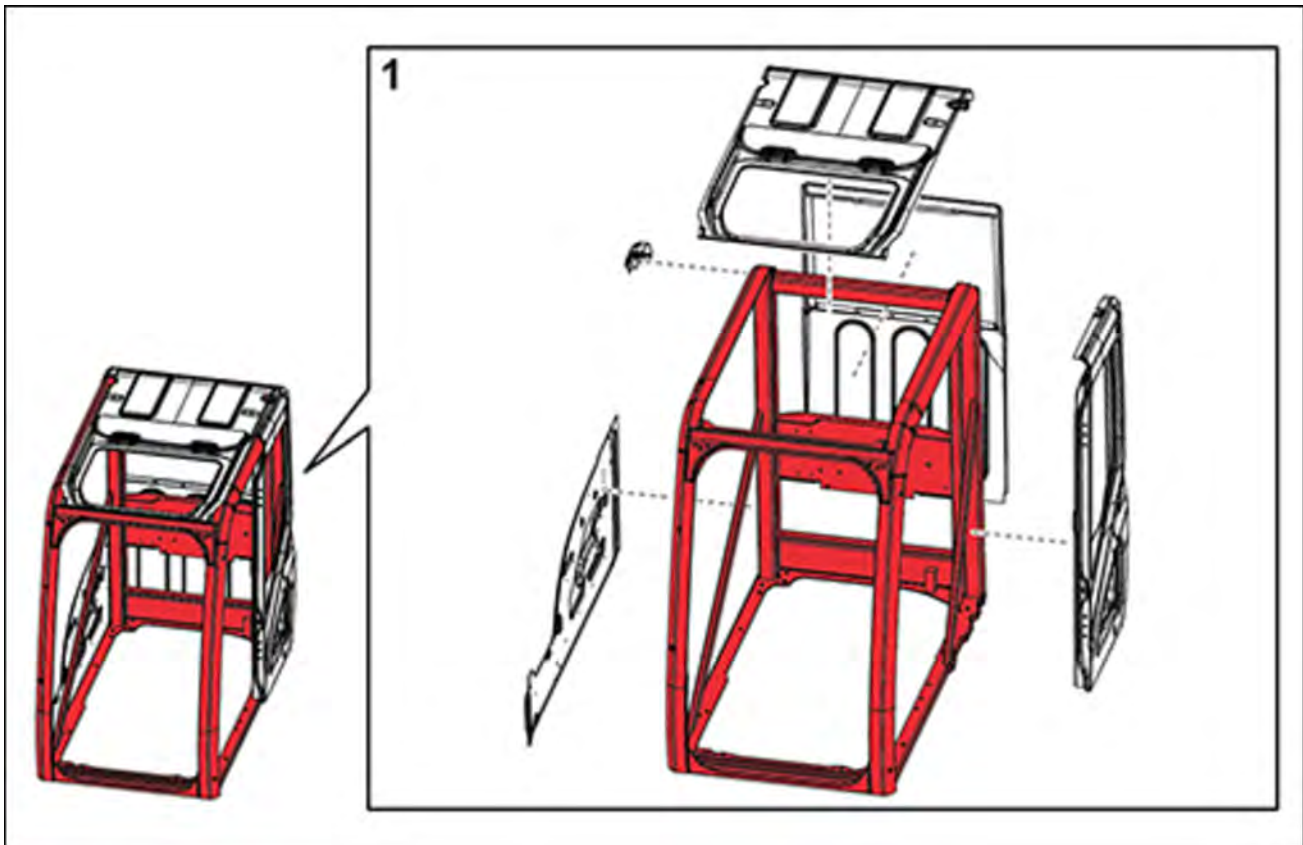
Cab protective structure

Modifying the cab main components is prohibited in order to protect the operator.

Prohibited items

- Modifications that reduce the strength of a platform that has a cab with a protective structure mounted on it. (Actions or modifications that reduce the functionality of the anchoring part at the left-rear of the cab)
- Modifications that effect the strength of the cab with a protective structure.

Modifications prohibited (red part)	All modifications (grinding, welding, drilling holes, removing, etc.) are prohibited.
Modifications permitted under conditions (gray part)	Removal of parts is prohibited. Bar welding and making holes (up to diameter 20 mm (0.787 in)) by drilling are possible.

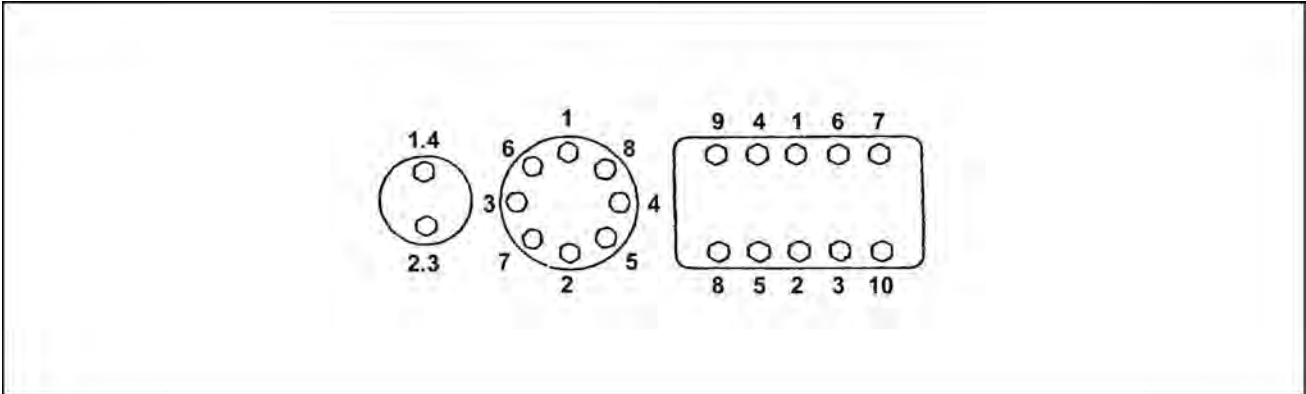


SMPH15CEX6544FA 1

Torque - Bolt and nut

CX220C SERIES 2 Standard model, TIER 3 level engine	
CX240C Crawler excavator-Mass excavator - TIER 3	LA

- Tighten alternating between left and right and top and bottom so that uniform tightening force is applied.



LPIL12CX00005EA 1

- If **LOCTITE®** was used on a removed bolt (there is something white sticking to the bolt when it is removed), clean the old **LOCTITE®** off with cleaning fluid, dry the bolt, then apply 2 - 3 drops of **LOCTITE®** to the thread section of the bolt.

Torque table

Bolt nominal diameter (size)		M6	M8	M10	M12	M14	M16	M18	M20
Hexagon bolt	Wrench	10 mm	13 mm	17 mm	19 mm	22 mm	24 mm	27 mm	30 mm
	Tightening torque	6.9 N·m (5.089 lb ft)	19.6 N·m (14.456 lb ft)	39.2 N·m (28.912 lb ft)	58.8 N·m (43.369 lb ft)	98.1 N·m (72.355 lb ft)	156.9 N·m (115.72 3 lb ft)	196.1 N·m (144.63 6 lb ft)	294.2 N·m (216.99 1 lb ft)
Hexagon socket head bolt	Wrench	5 mm	6 mm	8 mm	10 mm	12 mm	14 mm	14 mm	17 mm
	Tightening torque	8.8 N·m (6.491 lb ft)	21.6 N·m (15.931 lb ft)	42.1 N·m (31.051 lb ft)	78.5 N·m (57.899 lb ft)	117.7 N·m (86.811 lb ft)	176.5 N·m (130.18 0 lb ft)	245.2 N·m (180.85 0 lb ft)	343.2 N·m (253.13 1 lb ft)

Torque - Special torque settings

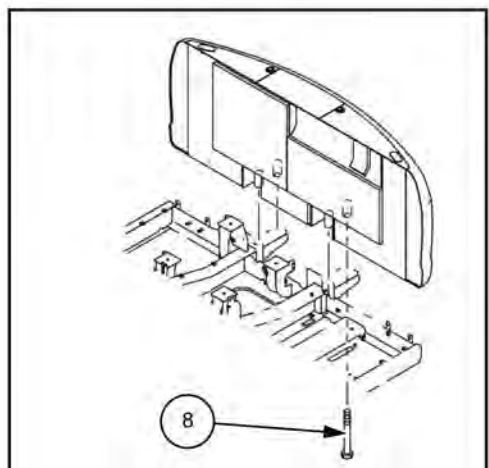
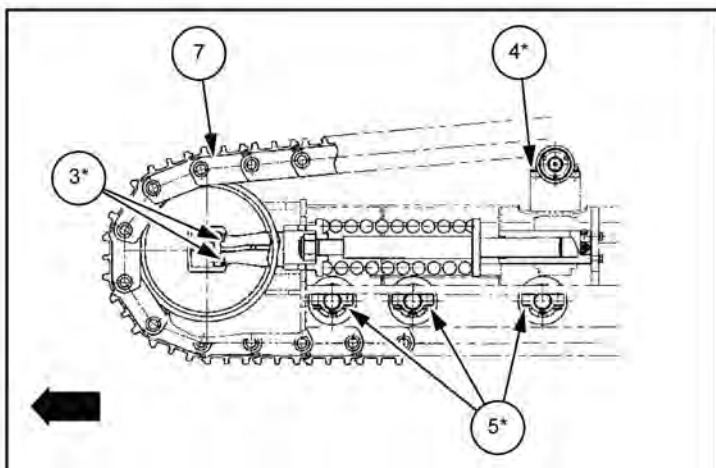
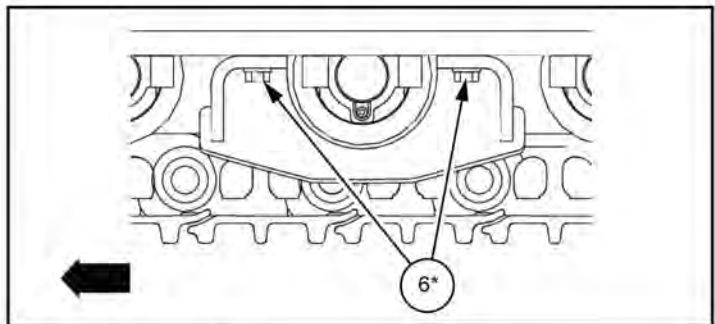
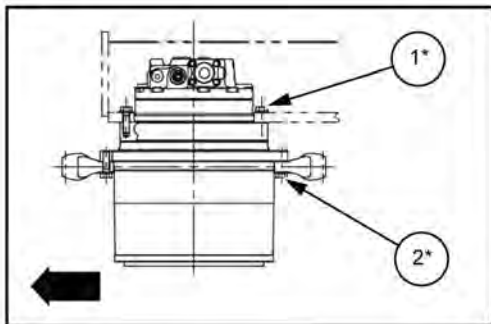
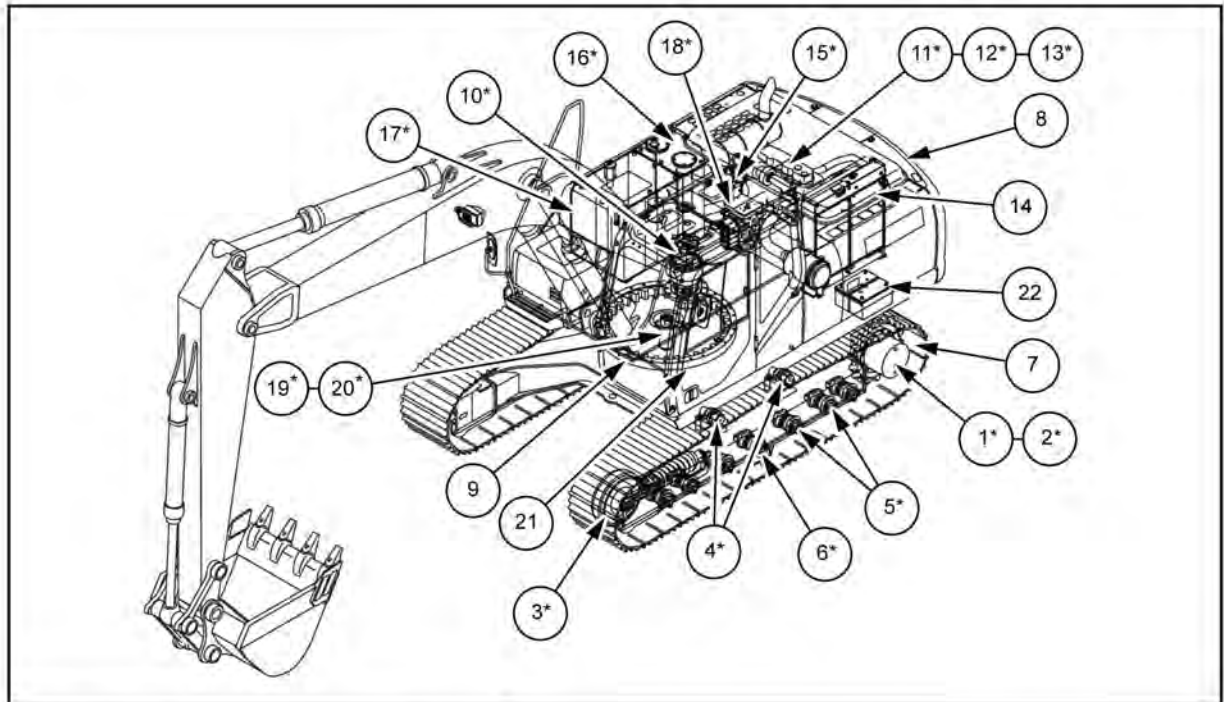
CX220C SERIES 2 Standard model, TIER 3 level engine	
CX240C Crawler excavator-Mass excavator - TIER 3	LA

Code	Retightening location		Bolt nominal diameter	Wrench	Tightening torque
1*	Travel motor		M16	24 mm	267 - 312 N·m (196.93 - 230.12 lb ft)
2*	Drive sprocket		M16	24 mm	267 - 312 N·m (196.93 - 230.12 lb ft)
3*	Take-up roller		M16	24 mm	267 - 312 N·m (196.93 - 230.12 lb ft)
4*	Upper roller		M20	30 mm	521 - 608 N·m (384.27 - 448.44 lb ft)
5*	Lower roller		M18	27 mm	371 - 432 N·m (273.64 - 318.63 lb ft)
6*	Track guard		M18	27 mm	400 - 462 N·m (295.02 - 340.75 lb ft)
7	Shoe		M20	30 mm	755 - 853 N·m (556.86 - 629.14 lb ft)
8	Counterweight		M33	50 mm	1862 - 2058 N·m (1373.34 - 1517.90 lb ft)
9	Turntable bearing		M20	30 mm	468 - 545 N·m (345.18 - 401.97 lb ft)
10*	Swing unit		M20	30 mm	539.4 - 629.6 N·m (397.84 - 464.37 lb ft)
11*	Engine	Mount	M16	24 mm	264.9 - 313.9 N·m (195.38 - 231.52 lb ft)
12*		Front bracket	M10	17 mm	63.8 - 73.6 N·m (47.06 - 54.28 lb ft)
13*		Rear bracket	M16	24 mm	205.9 - 247.1 N·m (151.86 - 182.25 lb ft)
14	Radiator		M16	24 mm	147.2 - 176.6 N·m (108.57 - 130.25 lb ft)
15*	Hydraulic pump	Pump	M20	17 mm hexagon socket head	367 - 496 N·m (270.69 - 365.83 lb ft)
16*	Hydraulic oil tank		M16	24 mm	232.4 - 276 N·m (171.41 - 203.57 lb ft)
17*	Fuel tank		M16	24 mm	232.4 - 276 N·m (171.41 - 203.57 lb ft)
18*	Control valve		M16	24 mm	267 - 312 N·m (196.93 - 230.12 lb ft)
19*	Center	Lock bar	M12	19 mm	88.3 - 107 N·m (65.13 - 78.92 lb ft)
20*	Joint	Joint	M12	19 mm	109 - 127 N·m (80.39 - 93.67 lb ft)
21	Cab		M16	24 mm	149 - 173 N·m (109.90 - 127.60 lb ft)
22			M10	17 mm	19.6 - 29.4 N·m (14.46 - 21.68 lb ft)

CAUTION:

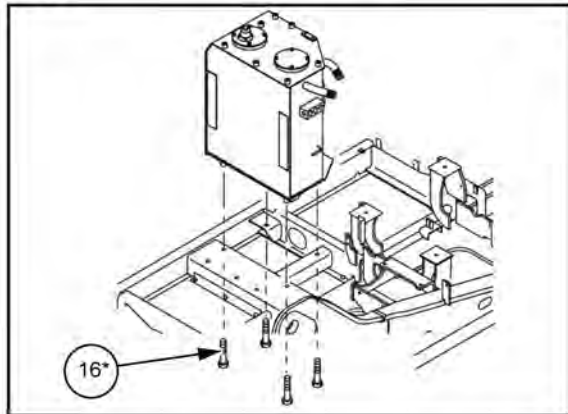
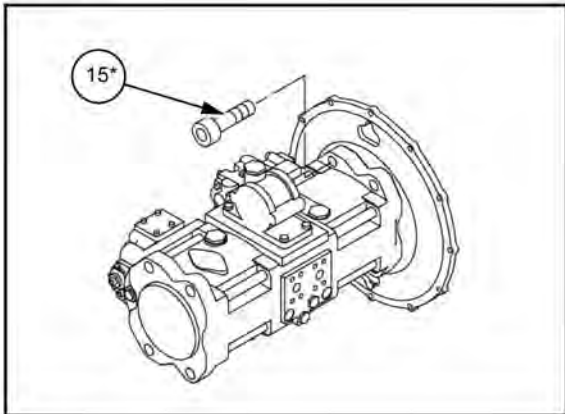
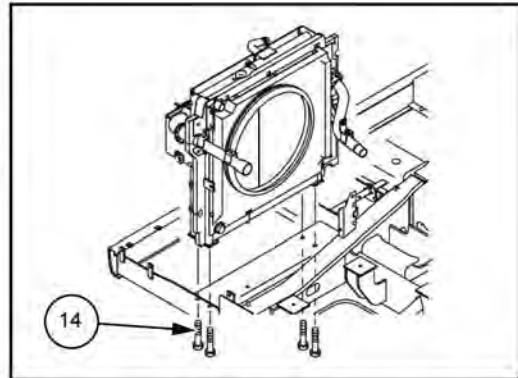
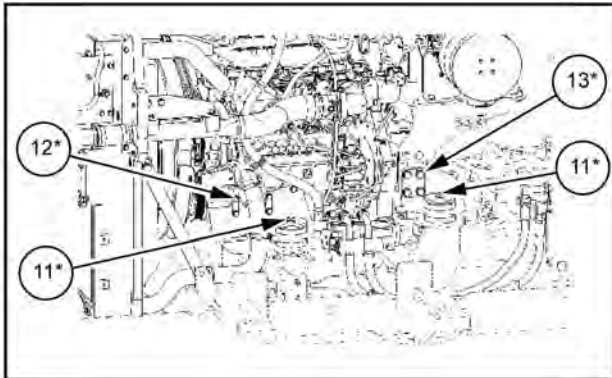
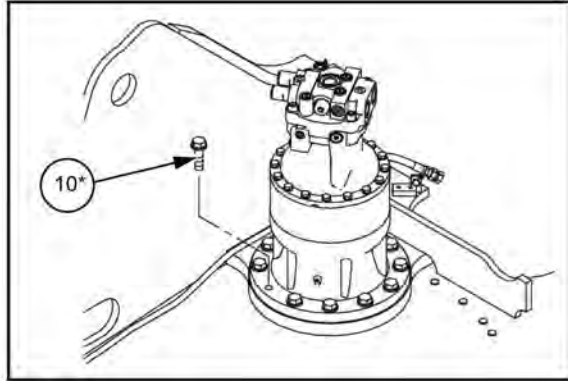
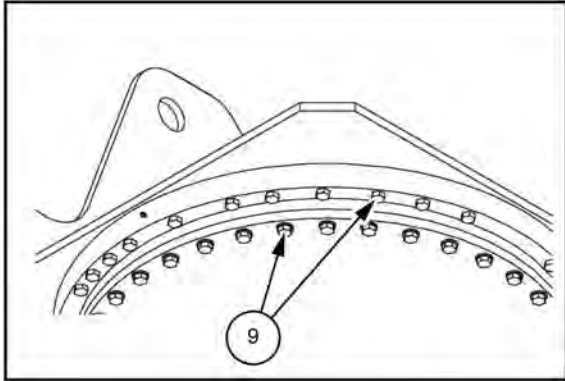
- For items marked with *, always apply **LOCTITE® 262™** or the equivalent and tighten to the specified torque. The tightening torque in kgf·m is determined with $N \cdot m \div 9.8$ ($lbf \cdot ft \div 7.2$).

INTRODUCTION



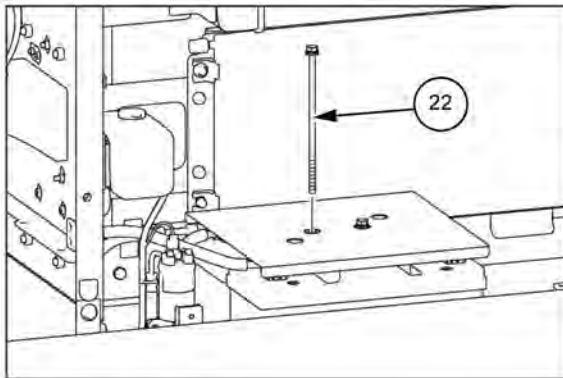
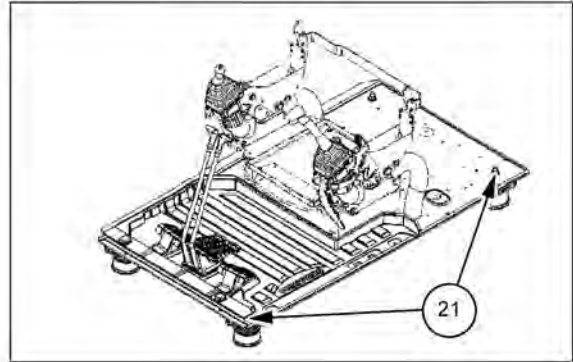
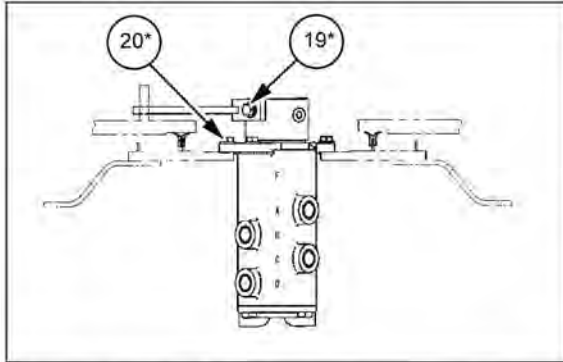
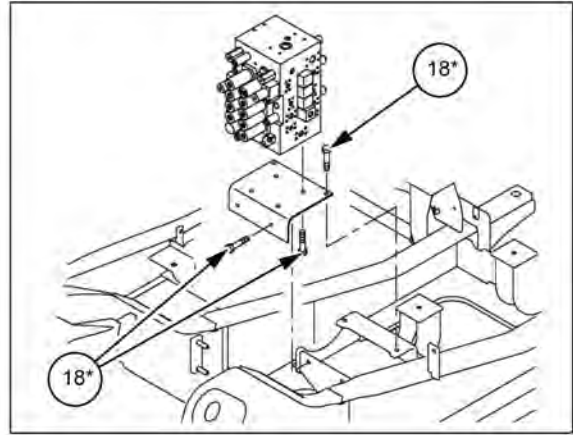
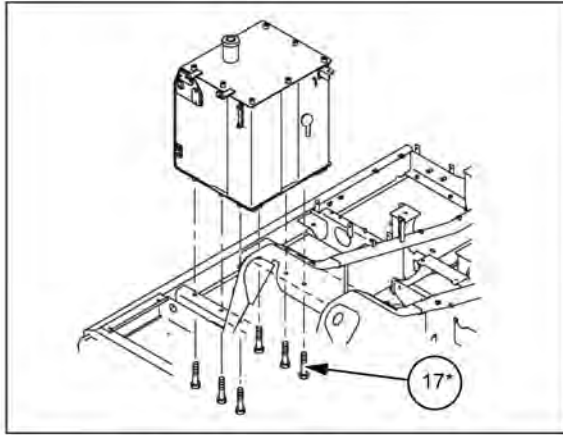
LPIL12CX00034HB 1

INTRODUCTION



SMIL13CEX1312GB 2

INTRODUCTION



SML13CEX1313GB 3

Basic instructions - Shop and assembly

CX220C SERIES 2 Standard model, TIER 3 level engine	
CX240C Crawler excavator-Mass excavator - TIER 3	LA

Shimming

For each adjustment operation, select adjusting shims and measure the adjusting shims individually using a micrometer, then add up the recorded values. Do not rely on measuring the entire shimming set, which may be incorrect, or the rated value shown on each shim.

Rotating shaft seals

For correct rotating shaft seal installation, proceed as follows:

1. Before assembly, allow the seal to soak in the oil it will be sealing for at least thirty minutes.
2. Thoroughly clean the shaft and check that the working surface on the shaft is not damaged.
3. Position the sealing lip facing the fluid.

NOTE: With hydrodynamic lips, take into consideration the shaft rotation direction and position the grooves so that they will move the fluid towards the inner side of the seal.

4. Coat the sealing lip with a thin layer of lubricant (use oil rather than grease). Fill the gap between the sealing lip and the dust lip on double lip seals with grease.
5. Insert the seal in its seat and press down using a flat punch or seal installation tool. Do not tap the seal with a hammer or mallet.
6. While you insert the seal, check that the seal is perpendicular to the seat. When the seal settles, make sure that the seal makes contact with the thrust element, if required.
7. To prevent damage to the seal lip on the shaft, position a protective guard during installation operations.

O-ring seals

Lubricate the O-ring seals before you insert them in the seats. This will prevent the O-ring seals from overturning and twisting, which would jeopardize sealing efficiency.

Sealing compounds

Apply a sealing compound on the mating surfaces when specified by the procedure. Before you apply the sealing compound, prepare the surfaces as directed by the product container.

Spare parts

Only use CNH Original Parts or CASE CONSTRUCTION Original Parts.

Only genuine spare parts guarantee the same quality, duration, and safety as original parts, as they are the same parts that are assembled during standard production. Only CNH Original Parts or CASE CONSTRUCTION Original Parts can offer this guarantee.

When ordering spare parts, always provide the following information:

- Machine model (commercial name) and Product Identification Number (PIN)
- Part number of the ordered part, which can be found in the parts catalog

Protecting the electronic and/or electrical systems during charging and welding

To avoid damage to the electronic and/or electrical systems, always observe the following practices:

1. Never make or break any of the charging circuit connections when the engine is running, including the battery connections.
2. Never short any of the charging components to ground.
3. Always disconnect the ground cable from the battery before arc welding on the machine or on any machine attachment.
 - Position the welder ground clamp as close to the welding area as possible.
 - If you weld in close proximity to a computer module, then you should remove the module from the machine.
 - Never allow welding cables to lie on, near, or across any electrical wiring or electronic component while you weld.
4. Always disconnect the negative cable from the battery when charging the battery in the machine with a battery charger.

NOTICE: *If you must weld on the unit, you must disconnect the battery ground cable from the machine battery. The electronic monitoring system and charging system will be damaged if this is not done.*

5. Remove the battery ground cable. Reconnect the cable when you complete welding.

▲ WARNING

Battery acid causes burns. Batteries contain sulfuric acid.

Avoid contact with skin, eyes or clothing. Antidote (external): Flush with water. Antidote (eyes): flush with water for 15 minutes and seek medical attention immediately. Antidote (internal): Drink large quantities of water or milk. Do not induce vomiting. Seek medical attention immediately. Failure to comply could result in death or serious injury.

W0111A

Special tools

The special tools that CASE CONSTRUCTION suggests and illustrate in this manual have been specifically researched and designed for use with CASE CONSTRUCTION machines. The special tools are essential for reliable repair operations. The special tools are accurately built and rigorously tested to offer efficient and long-lasting operation.

By using these tools, repair personnel will benefit from:

- Operating in optimal technical conditions
- Obtaining the best results
- Saving time and effort
- Working in safe conditions

General specification

CX220C SERIES 2 Standard model, TIER 3 level engine	
CX240C Crawler excavator-Mass excavator - TIER 3	LA

Main data

Operating weight	20920 kg (46120.71 lb)
Engine output	117.3 kW (159.48 Hp) / 1800 RPM
Bucket capacity	Heaped 0.9 m³ (31.8 ft³) Leveled 0.61 m³ (21.54 ft³)

Performance

Standard weight	13.5 kN (3034.921 lb)
Swing speed	13.5 RPM
Travel speed	Low speed 3.4 km/h (2.1127 mph)
	High speed 5.6 km/h (3.4797 mph)
Maximum pulling force	188 kN (42264.08 lb)
Grade ability	70 % (35 °)
Ground pressure	45 kPa (7 psi) (600 mm (23.622 in) grouser shoe)
	37 kPa (5 psi) (800 mm (31.496 in) grouser shoe)

Main unit dimensions

Main unit length	4810 mm (189.370 in)
Main unit height	2800 mm (110.236 in)
Upper swing body width	2735 mm (107.677 in)
Cab width	1000 mm (39.370 in)
Main unit height	2750 mm (108.268 in)
Swing radius (rear end)	2750 mm (108.268 in)
Swing body rear end distance	2720 mm (107.087 in)
Swing body rear section bottom height	1040 mm (40.945 in)
Distance between tumblers	3370 mm (132.677 in)
Overall track length	4180 mm (164.567 in)
Overall track width	2800 mm (110.236 in)
Distance between tracks	2200 mm (86.614 in)
Track shoe width	600 mm (23.62 in) option: 800 mm (31.50 in)
Minimum ground clearance	440 mm (17.323 in) (to bottom of lower frame)

Engine

Name	Isuzu 4HK1X diesel engine
Model	4-cycle, water-cooled, overhead camshaft type, common rail system (electronic control), cooled EGR, with turbocharger
No. of cylinders - bore x stroke	4 - Ø115 mm (4.528 in) x 125 mm (4.921 in)
Total stroke volume	5.193 l (1.3718 US gal)
Maximum torque	606 N·m (446.96 lb ft) / 1500 RPM
Starter	24 V 5.0 kW reduction type
Charging generator	24 V 50 A AC type
Battery	12 V 92 A·h / 5 h x 2

Cooling system

Fan type	Ø650 mm (25.591 in), 7 blades, suction
Radiator	
Fin type	Wavy
Fin pitch	2.0 mm (0.07874 in)